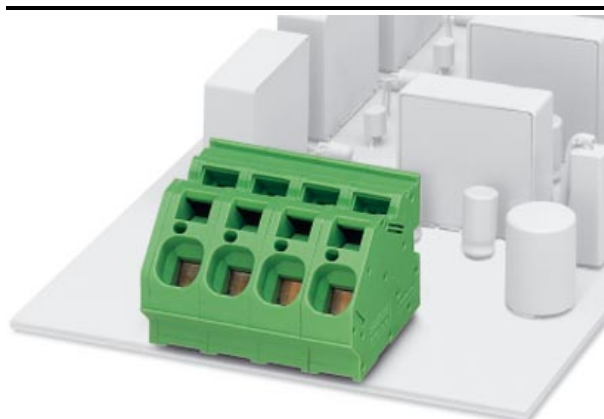


Please note that the data given here has been taken from the online catalog. For comprehensive information and data, please refer to the user documentation at <http://www.download.phoenixcontact.com>. The General Terms and Conditions of Use apply to Internet downloads.

► Extract from the online catalog



Pcb terminal, number of poles: 1, pitch: 10 mm, U = 320 V, I = 57 A, cross section: 10 mm²

The illustration shows a terminal row with an end terminal block

Order No.	1986628
Ord designation	ZFKDS 10-10,00
EAN	4017918973087
Pack	50 Pcs.
Customs tariff	85369010
Catalog page information	Page 249 (CC-2005)

► Technical data

Dimensions / positions

Pitch	10 mm
Number of positions	1

Technical data

Maximum load current	57 A
----------------------	------

Connection data

Conductor cross section, rigid min.	0.5 mm ²
Conductor cross section, rigid max.	16 mm ²
Conductor cross section flexible min.	0.5 mm ²
Conductor cross section, flexible max.	10 mm ²
Conductor cross section AWG/kcmil min.	20
Conductor cross section AWG/kcmil max	5

► Certificates

CUL

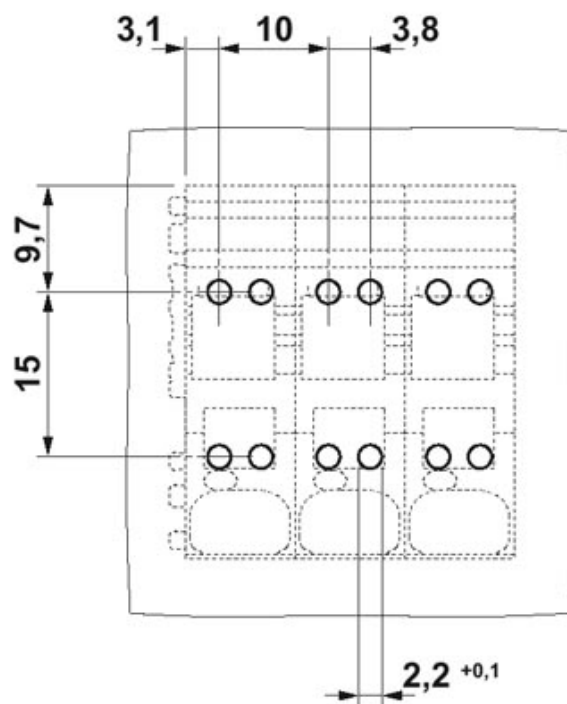
Nominal voltage U_N	150 V
Nominal current I_N	65 A
AWG/kcmil	24-6
Nominal voltage U_N	300 V
Nominal current I_N	10 A
AWG/kcmil	24-6
Nominal voltage U_N	300 V
Nominal current I_N	65 A
AWG/kcmil	24-6

UL

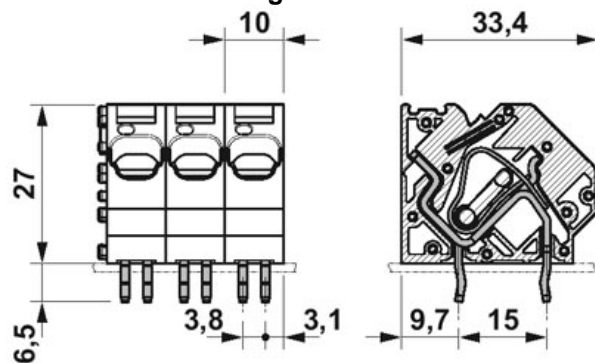
Nominal voltage U_N	150 V
Nominal current I_N	65 A
AWG/kcmil	24-6
Nominal voltage U_N	300 V
Nominal current I_N	10 A
AWG/kcmil	24-6
Nominal voltage U_N	300 V
Nominal current I_N	65 A
AWG/kcmil	24-6

► Drawings

Drilling diagram



Dimensioned drawing



► **Address**

PHOENIX CONTACT GmbH & Co. KG
Flachsmarktstr. 8
32825 Blomberg
Germany
Phone +49 5235 3 00
Fax +49 5235 3 1200
<http://www.phoenixcontact.com>
Phoenix Contact
Technical modifications reserved;